

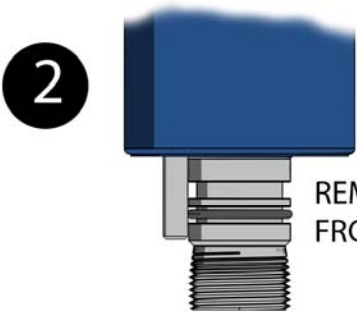
TECHNICAL NOTE

CSP Explained (Cylindrical sealing plug)



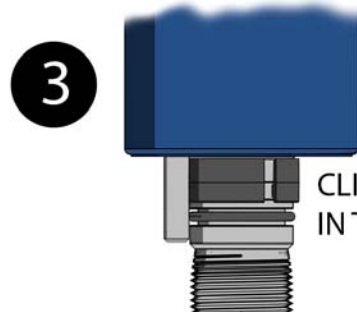
1

START BY TAKING OFF THE ADAPTER FROM THE PLUG



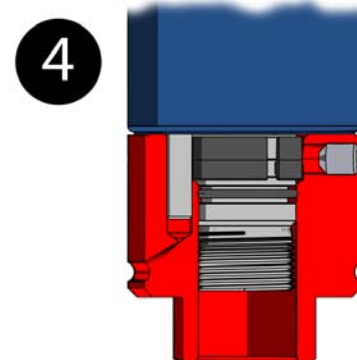
2

REMOVE TOP O-RING FROM THE SENSOR FOOT



3

CLIP ON PLASTIC RING IN TOP O_RING GROOVE



4

PUT ON ADAPTER AND TIGHTEN SET SCREW



5

INSERT PLUG AND TIGHTEN PLASTIC NUT BY HAND